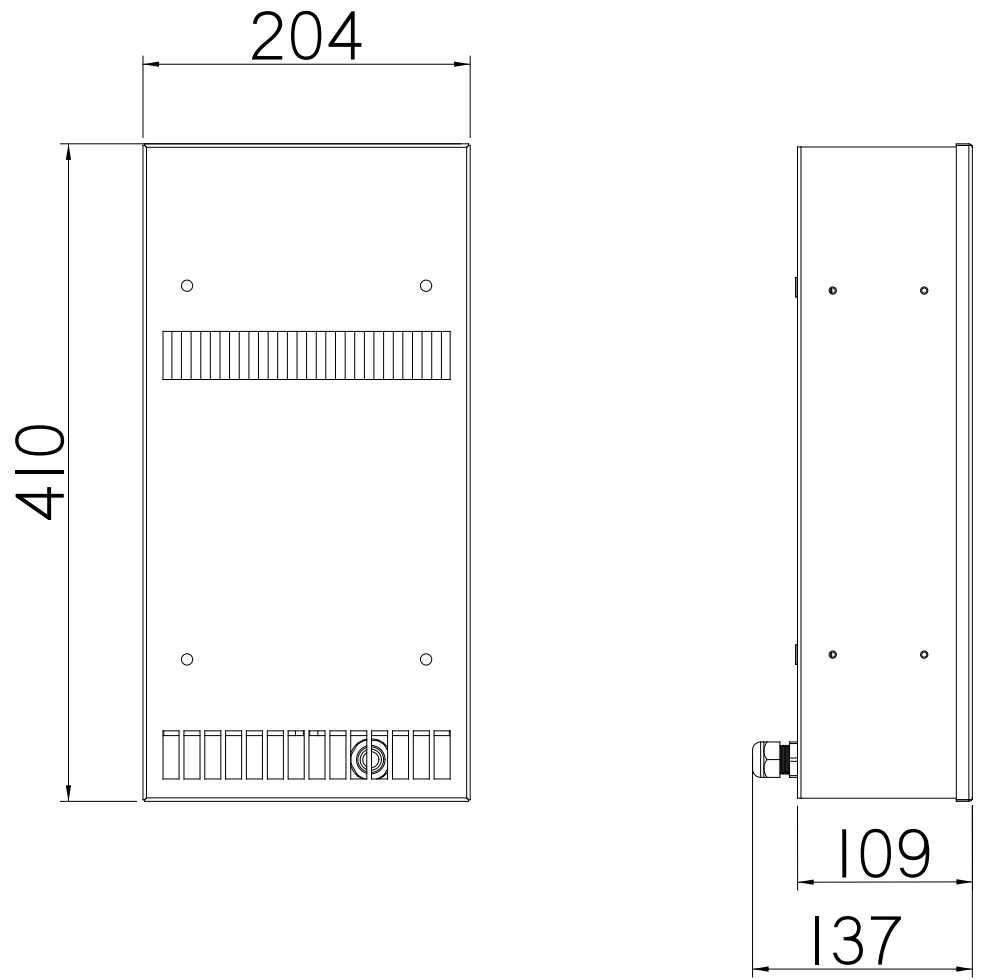
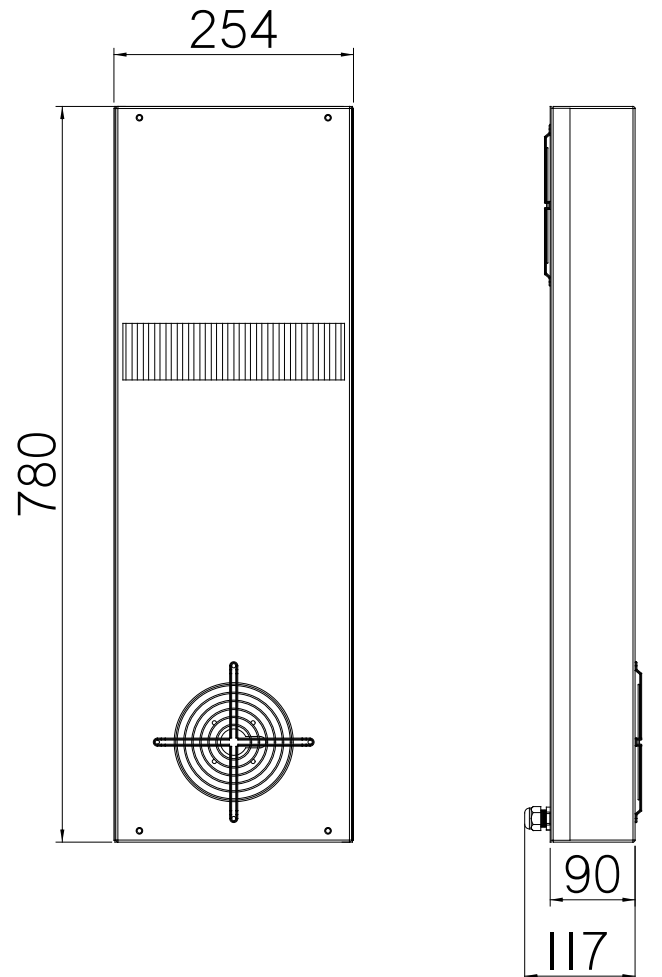


XVA Layout

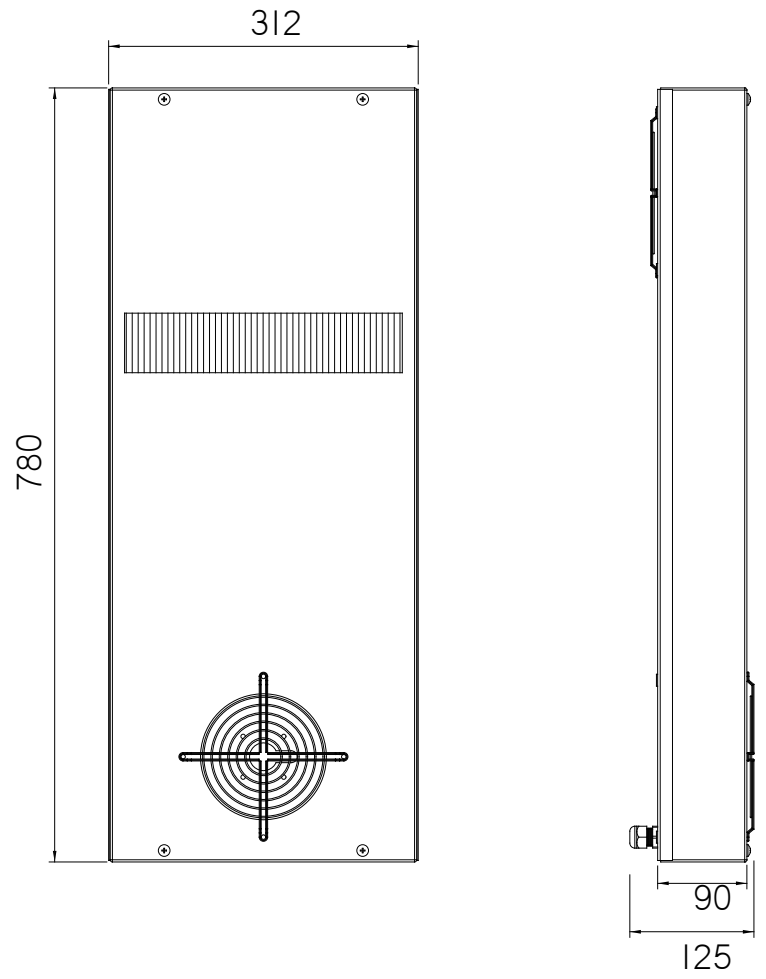
XVA16



XVA35



XVA50



XVA80-90

